



## Features

- Standard 3mm round package
- High luminous output
- Water clear lens
- Viewing Angle  $2\theta^{1/2}$ : 30 Deg.

## Max. Ratings at $T_A = 25^\circ\text{C}$

Reverse Voltage (<math><100\mu\text{A}</math>)	: 5V
D.C. Forward Current	: 30mA
Pulse Current (Pulse Width of 0.1 ms, 1/10 Duty Cycle)	: 100mA
Operating Temperature Range	: $-25^\circ\text{C}$ to $+85^\circ\text{C}$
Storage Temperature Range	: $-40$ to $100^\circ\text{C}$
Soldering Temperature Dip Soldering	: $260^\circ\text{C}$ for 5s
Soldering Temperature Hand Soldering	: $350^\circ\text{C}$ for 3s

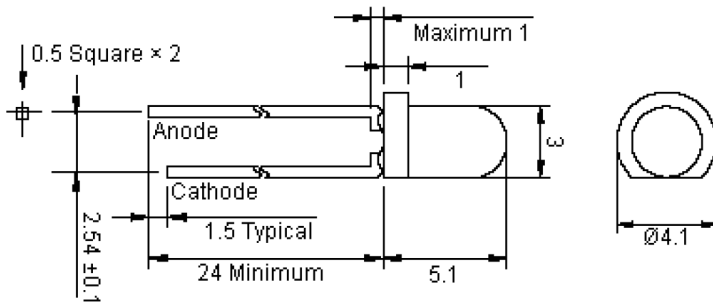
## Electrical and Optical Characteristics at $T_A = 25^\circ\text{C}$

Part Number	LED Chip			Co-Ordinates for CIE Chromaticity at 20mA		Luminous Intensity (mcd) at 20mA		Forward Voltage (V) at 20 mA	
	Material	Emitted Colours	Brightness	X Axis	Y Axis	Minimum	Typical	Typical	Maximum
OVL-3321	InGaN / Sapphire	White	Mega	0.31	0.3	2,750	8,000	3.2	4

Part Number	LED Chip			Dominant Wavelength (nm) at 20mA	Luminous Intensity (mcd) at 20mA		Forward Voltage (V) at 20 mA	
	Material	Emitted Colours	Brightness		Minimum	Typical	Typical	Maximum
OVL-3323	InGaN / Sapphire	Blue	Mega	465	700	1,700	3.2	4
OVL-3324	InGaN / Sapphire	True Green		520	1,950	5,000		
OVL-3328	A1GaInP / Si	Red		625	2,000	5,500	2.1	2.6
OVL-3326	A1GaInP / Si	Yellow		589		5,000		2.5

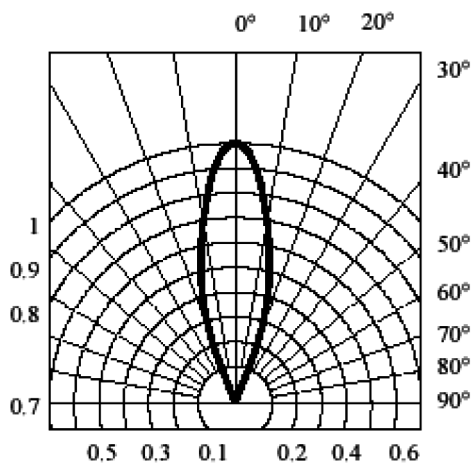
## Diagram

### OVL-33 Series



Dimensions : Millimetres

## Radiation Diagram



**Important Notice :** This data sheet and its contents (the "Information") belong to the members of the AVNET group of companies (the "Group") or are licensed to it. No licence is granted for the use of it other than for information purposes in connection with the products to which it relates. No licence of any intellectual property rights is granted. The Information is subject to change without notice and replaces all data sheets previously supplied. The Information supplied is believed to be accurate but the Group assumes no responsibility for its accuracy or completeness, any error in or omission from it or for any use made of it. Users of this data sheet should check for themselves the Information and the suitability of the products for their purpose and not make any assumptions based on information included or omitted. Liability for loss or damage resulting from any reliance on the Information or use of it (including liability resulting from negligence or where the Group was aware of the possibility of such loss or damage arising) is excluded. This will not operate to limit or restrict the Group's liability for death or personal injury resulting from its negligence. Multicomp Pro is the registered trademark of Premier Farnell Limited 2019.